

GLASS MANIPULATORS



Manipulators for glass are available for all models except for the SPB209, SPX1275 and SPK60. They need to be installed in combination with the hydraulic activation. They are used for accurate handling and installation of glass panes, and are faster and more efficient than a single suction cup since a single operator can pick up and lift the pane to the required height, orient it and place it in the position for fixing to the building structure. Manipulators can lift panes of up to 800 kg.

The operator controls the manipulator by radio remote control: extremely precise movements in all four directions are possible as well as tilt and rotation.

Manipulators for glass are available for all models except for the SPB209.

In compliance with the relevant regulations, suction cups can be used for many non-porous material.

Hydraulic MR 800.4

Available for:
SPX424 - SPX527
SPX1040 - MPK20



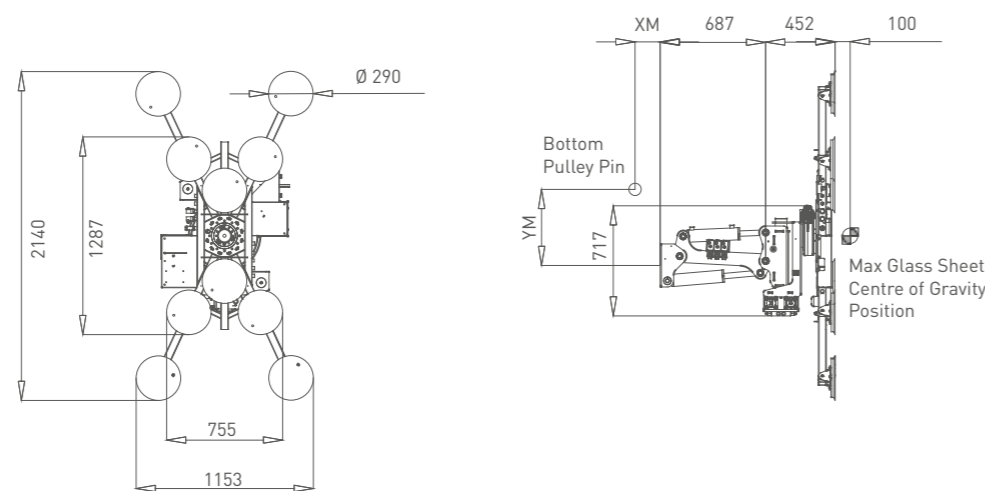
Technical Information

Dimension		2140 x 1100 x 1153 mm
N. of Pads		6 + 4

Weight		295 kg	+15 kg MPK20 +45 kg SPX424/527 +115 kg SPX1040
Elect. System		12/24V	
Pad Diameter		290 mm	
Max SWL		800 kg	
Tilting Angle		-45°/+90°	
Swinging Angle		360°	
Rotation Angle		-90°/+90°	

Building site use		N. of Pads	6	10
			540 kg	800 kg
Factory Use		N. of Pads	6	10
			270 kg	400 kg

	XM	YM
SPX424/527	276	139
MPK20	91	-152
SPX1040	686	212



Battery MV 600.E+

Available for:
SPX312 - SPX424 - MPK50

✓ Rechargeable battery included



Technical Information

Dimension		1881 x 1400 x 1280 mm
N. of Pads		4 + 4

Weight		200 kg	+21 kg SPX312 +21 kg SPX424 +66 kg MPK50
Elect. System		24V	
Pad Diameter		400 mm	
Max SWL		600 kg	
Tilting Angle		+40°/-40°	
Swinging Angle		95°	
Rotation Angle		+30°/-90°	

Building site use		N. of Pads	4	8
			300 kg	600 kg
Factory Use		N. of Pads	4	8
			150 kg	300 kg

	XM	YM
SPX312	409	208
MPK50	381	175
SPX424	430	162

